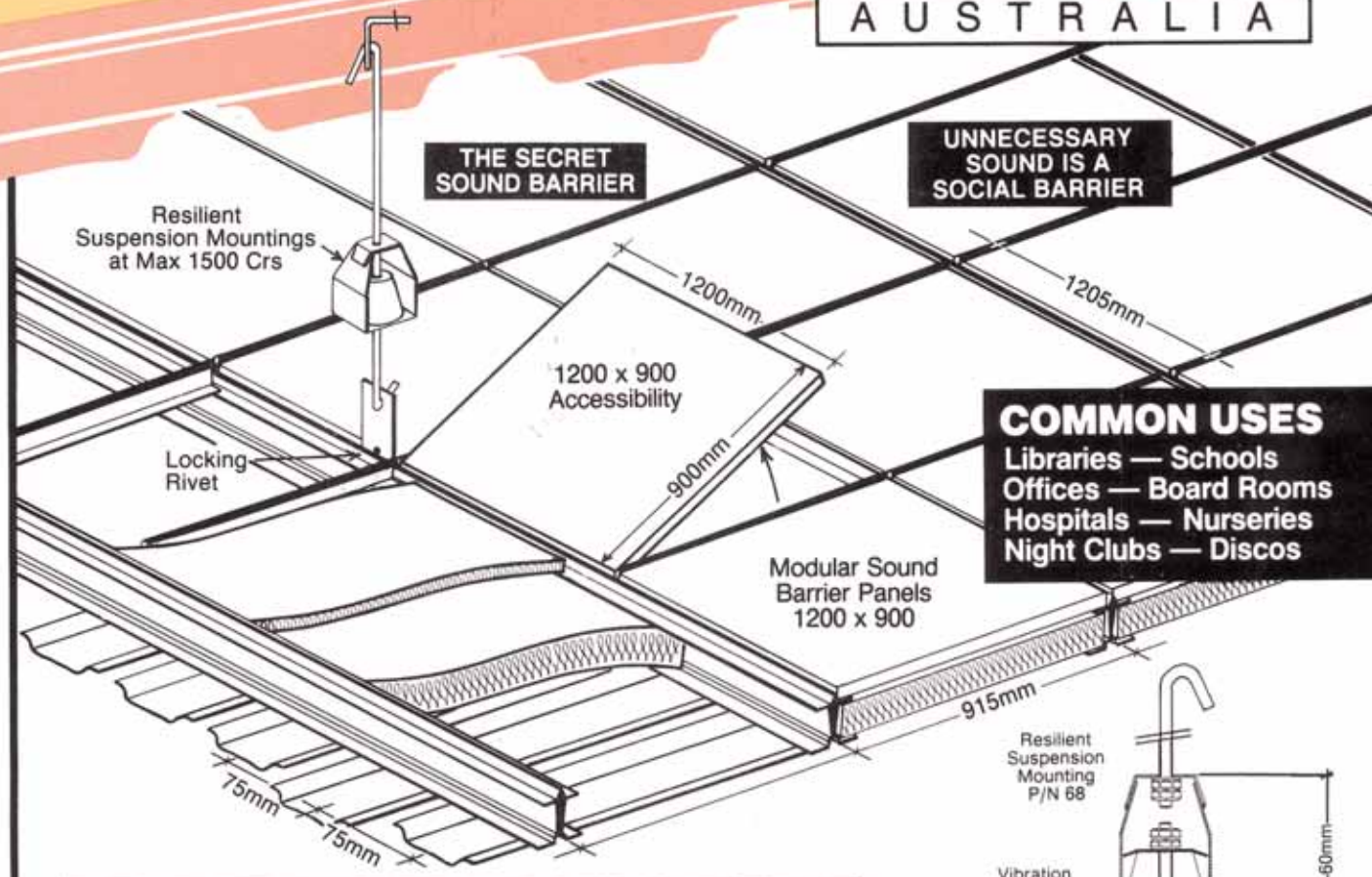




# AUDIBAR NO1

IN AUSTRALIA

The Engineered Accessible Sound Barrier

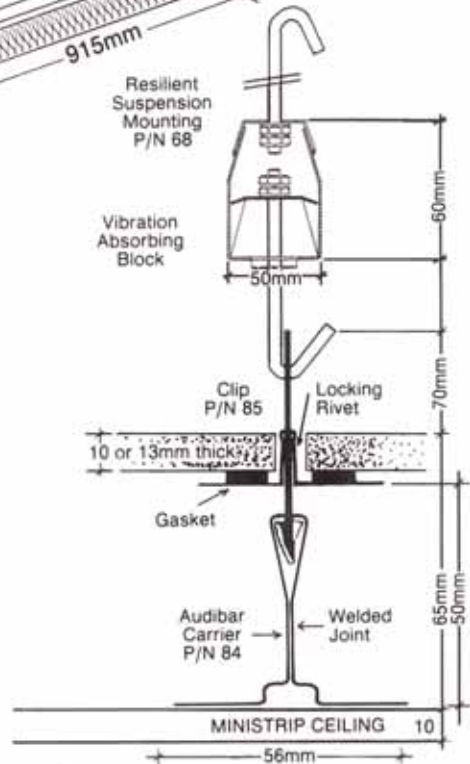


**COMMON USES**  
Libraries — Schools  
Offices — Board Rooms  
Hospitals — Nurseries  
Night Clubs — Discos

## Important Features of the Audibar System

- Managable Size Sound Barrier Panels
- All Dry Installation
- Economical Installation
- Gasket Bedding for Barrier Panels
- Easy Access to Services in the Ceiling Plenum behind
- Double Level Carrier Rail System
- Extra Strength Carrier for Extra Loads
- Easy Hanger Clipping to Carrier Centre avoids the Cutting of Barrier Panels

Accessibility Seems Necessary Only When You Need It  
Sound Absorption Below — Sound Barrier Above

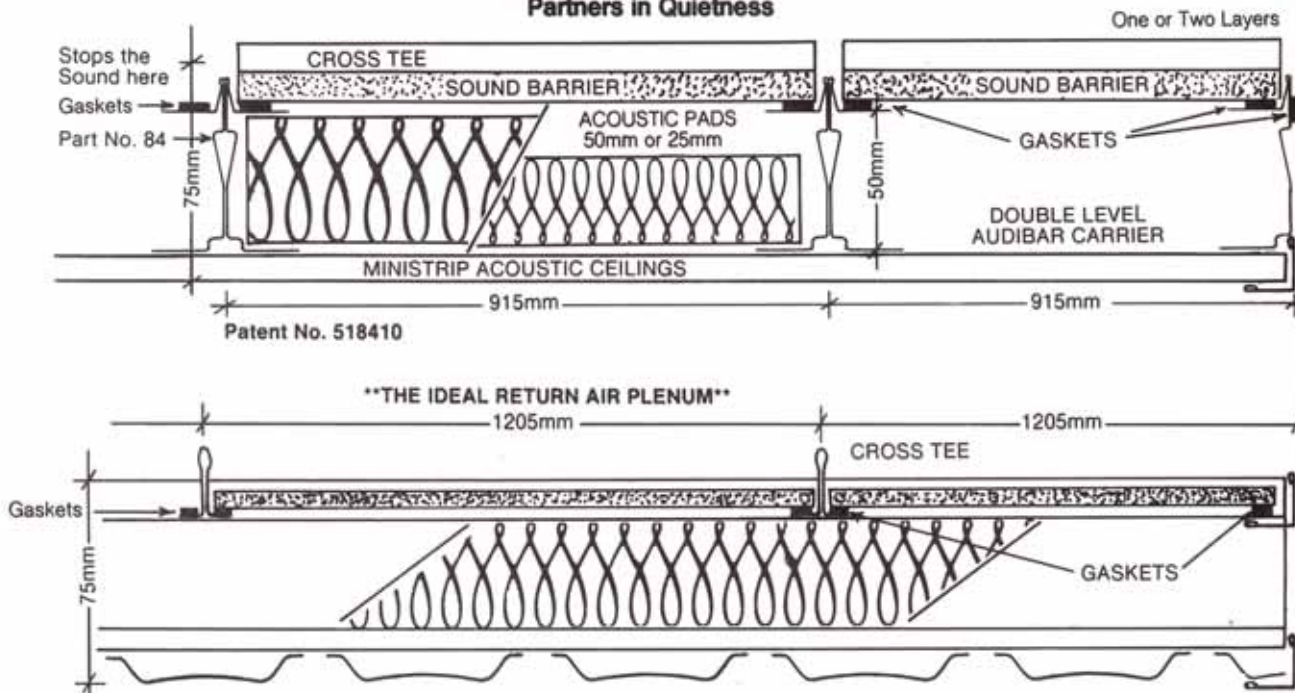


**ACOUSTIC VALUE**  
Ceiling Attenuation Class: CAC 48

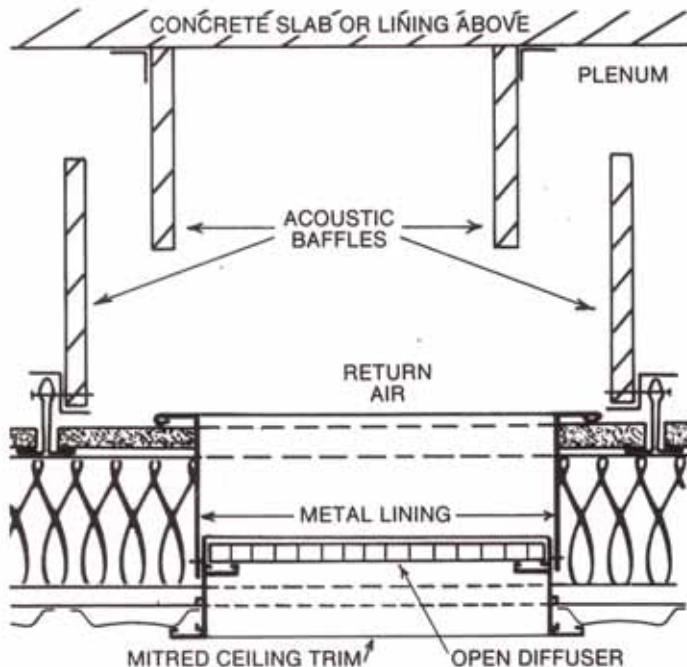
# ACS ARCHITECTURAL CEILING SYSTEMS PTY LTD

**The Only Engineered Sound Barrier/Ceiling System**  
**Audibar is the Original Design**  
**Audibar is a Sound Idea**

**MINISTRIP — AUDIBAR**  
**Partners in Quietness**



**"Audibar"** Ceilings are  
 Manufactured by Architectural Ceiling Systems Pty. Ltd.



**RETURN AIR DIFFUSER IN  
 AUDIBAR CEILINGS**

ACS Recommends Surface Mounted Light Fittings on Audibar Ceilings and Resilient Suspension Mountings for the perfect installation. For additional attenuation values use two layers of Sound Barrier Panels.

**SPECIFICATION**

Supply and install patented "Audibar" Sound Barrier Ceilings to the areas shown on the drawings in accordance with the manufacturers instructions.

Suspended "Audibar" Double Level Gasketed Carrier Rails, Part No. 84 at 915mm centres and spanning not more than 1500mm between Hangers from and transverse to purlins above. Hanger Clips Part No. 85 shall be snapped into the centre of Carriers so that they do not cause cutting of the Barrier Panels which are located on the upper level of the Carrier.

Provide Gasketed Cross Runners Part No. 48 at 1205mm centres seated on the upper level of the Carriers to support the Sound Barrier Panels all of which shall be firmly bedded on foam gaskets. Sound Barrier Panels shall not exceed 1200 x 900mm in size and shall be easily lifted for access to the plenum behind.

Surface Panels Part No. 1 shall be Ministrip (Perforated or Plain) 75mm module, Baked Enamel Strip Ceiling firmly clipped into position on the bottom flange of the Part No. 84 Carriers, 50mm thick (or 25mm) Acoustic Pads shall be installed over the "Ministrip" Panels and below the Sound Barrier Panels and butted to the vertical leg of the Carriers.

**SPECIFY EXACT REQUIREMENTS**

**FOR FURTHER INFORMATION**  
**PLEASE CONSULT WITH OUR TECHNICAL REPRESENTATIVE**  
**Telephone (09) 271 0777**

EXPORT BROCHURE